

TW | **Tank-Catch Sump**



Krampitz



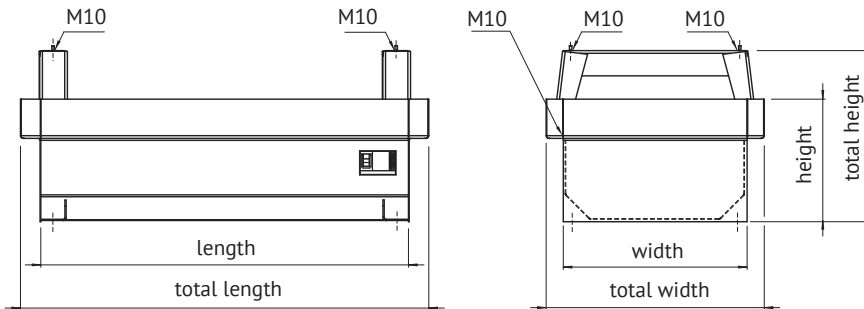
Characteristic	Area of Application / Media			Transportation / Installation	
E1 single wall	E12 hazardous to ground water	E5 inflammable		E3 cleaned transportable	E9 indoor use

The catch sump serves to hold back any substances hazardous to waters, which come from a leakage in the tank or untight connections, according to water law. If there is no catching area available on the building site, a cubic catch sump of steel must be used, which is deliverable in all standard dimensions of the TTE.

In the catch sump two supported brackets are integrated for a day tank, which are provided with a welding stud M10 for each on the contact corner. The day tank with the catch sump is fixed to the studs through four M10 nuts with undetachable washers. By using the wall bracket on the day tank the catch sump is hanged directly under the day tank. By using the feet or the columns the catch sump stands on the feet or on the columns and the day tank stands on the catch sump.

type of tank	capacity 100%	capacity 95%	length	total length	width	total width	height	total height	weight
no. of type	l	l	mm	mm	mm	mm	mm	mm	kg
TW 50	80	74	510	670	500	660	300	500	45
TW 100	130	118	510	670	500	660	500	700	55
TW 250	300	280	1,260	1,420	500	660	500	700	85
TW 500	550	516	1,510	1,670	750	910	500	700	115
TW 750	820	770	1,510	1,670	750	910	750	950	145
TW 990	1.090	1.020	2,010	2,170	750	910	750	950	175
TW 1,500	1.950	1.820	2,010	2,170	1,000	1,160	1,000	1,200	320
TW 1,950	2.440	2.290	2,010	2,170	1,250	1,410	1,000	1,200	450

Please note: The capacity of the catch sump results from the capacity of the appropriate TTE.



Standard Equipment:

- 4x nuts M10 with washers for fixing the supports on catch sump
- 4x nuts M10 with washers for fixing the tank
- type plate

Optional Accessories:

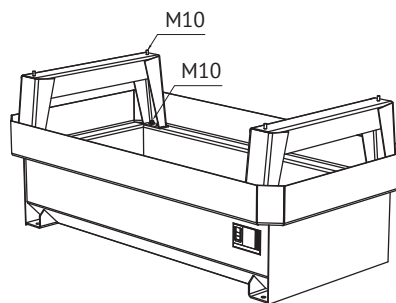
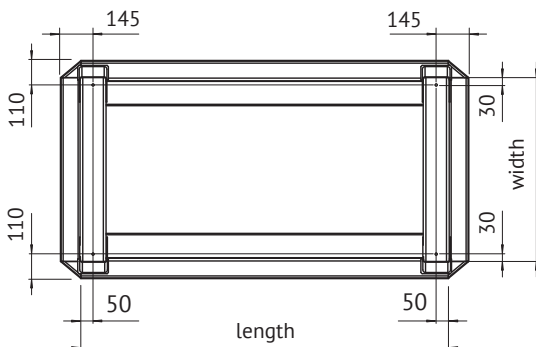
- foot type FS
- column type ST
- warning probe

Corrosion Protection:

- 2-K painting RAL 7032

Optional Equipment:

- painting in all RAL colours or with chemically resistant coating (inside and outside)
- material: stainless steel



Change reserved!

Material	Approval	Documentation	Sheet
Steel S235JR	General Construction Supervision Approval Z-38.11-86	Test Certificate 1x English	1 of 1



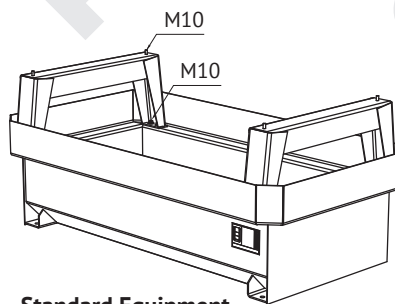
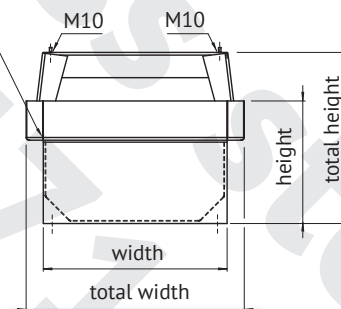
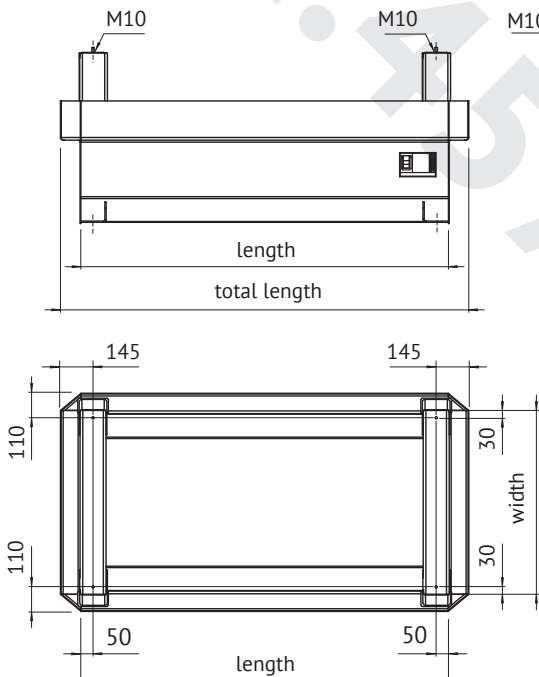
Characteristic	Area of Application / Media			Transportation / Installation	
E1 single wall	E12 hazardous to ground water	E5 inflammable		E3 cleaned transportable	E9 indoor use

The catch sump serves to hold back any substances hazardous to waters which come from a leakage in the tank or untight connections, according to water law. If there is no catching area available on the building site a cubic catch sump of steel must be used, which is deliverable in all standard dimensions of TTE.

In the catch sump two supported brackets are integrated for the day tank which are provided with a welding stud M10 for each on the contact corner. The day tank with the catch sump is fixed to the studs by four M10 nuts with undetachable washers. By using the wall bracket on the day tank the catch sump is hanged directly under the day tank. By using the feet or the columns the catch sump stands on the feet or on the columns and the day tank stands on the catch sump.

type of tank	capacity 100%	capacity 95%	length	total length	width	total width	height	total height	weight
no. of type	l	l	mm	mm	mm	mm	mm	mm	kg
TW 50-A4	80	74	510	670	500	660	300	500	45
TW 100-A4	130	118	510	670	500	660	500	700	55
TW 250-A4	300	280	1,260	1,420	500	660	500	700	85
TW 500-A4	550	516	1,510	1,670	750	910	500	700	115
TW 750-A4	820	770	1,510	1,670	750	910	750	950	145
TW 990-A4	1,090	1,020	2,010	2,170	750	910	750	950	175
TW 1,500-A4	1,950	1,820	2,010	2,170	1,000	1,160	1,000	1,200	320
TW 1,950-A4	2,240	2,290	2,010	2,170	1,250	1,410	1,000	1,200	450

Please note: The capacity of the catch sump results from the capacity of the appropriate TTE.



the catch sump
- 4x nuts M10 with washers for fixing the tank
- type plate

Optional Accessories

- foot type FS
- column type ST
- warning probe

Corrosion Protection

- outside: pickled, cleaned
- inside: pickled, cleaned

Corrosion Resistance

- Good resistance against environmental influence: water, rural and urban atmosphere at lower chloride or acid concentrations
- the material 1.4571 distinguishes in nitric and organic acid

Standard Equipment

- 4x nuts M10 with washers for fixing the supports on

Change reserved!

Material	Approval	Documentation	Sheet
Steel S235JR	General Construction Supervision Approval Z-38.11-86	Test Certificate 1x English	1 of 1

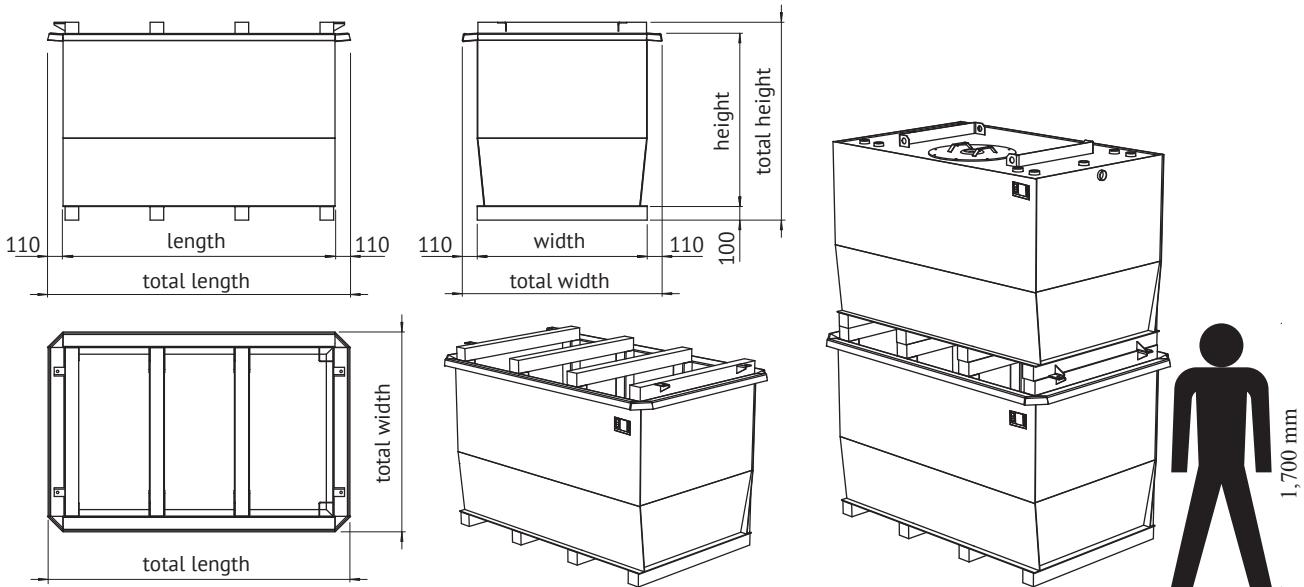


Characteristic	Area of Application / Media			Transportation / Installation	
E1 single wall	E12 hazardous to ground water	E5 inflammable		E3 cleaned transportable	E9 indoor use

The catch sump serves to hold back any substances hazardous to waters, which come from a leakage in tank or untight connections, according to water law. If there is no catching area available on the building site a cubic catch sump of steel must be used, which is deliverable in all standard dimensions of the TTE-XL.

type of tank	capacity 100%	capacity 95%	length	total length	width	total width	height	total height	weight
no. of type	l	l	mm	mm	mm	mm	mm	mm	kg
TW-XL 2,500	3,000	2,850	2,000	2,220	1,250	1,470	1,275	1,460	530
TW-XL 3,000	3,610	3,427	2,000	2,220	1,500	1,720	1,275	1,460	595
TW-XL 4,000	4,290	4,072	2,000	2,220	1,500	1,720	1,525	1,710	660
TW-XL 5,000	5,450	5,179	3,000	3,220	1,500	1,720	1,275	1,460	810
TW-XL 6,000	6,490	6,164	3,000	3,220	1,500	1,720	1,525	1,710	885
TW-XL 7,000	7,590	7,209	3,500	3,720	1,500	1,720	1,525	1,710	998
TW-XL 8,000	8,700	8,255	4,000	4,220	1,500	1,720	1,525	1,710	1,115
TW-XL 9,000	9,800	9,301	4,500	4,720	1,500	1,720	1,525	1,710	1,260

Please note: The capacity of the catch sump results from the capacity of the appropriate TTE-XL.



Standard Equipment

- feet with bottom attachment
- support bracket for TTE-XL
- type plate
- 4x hexagon screw with nut for fastening on the TTE-XL

Optional Accessories

- oil warning probe

Corrosion Protection

- outside/inside 2-K painting RAL 7032

Optional Equipment

- painting in all RAL colours
- material: stainless steel

TTE-XL 2500 day tank single wall with TW-XL 2500 catch sump

Material	Approval	Documentation	Sheet
Steel S235JR	General Construction Supervision Approval Z-38.11-127	Test Certificate 1x English	1 of 1

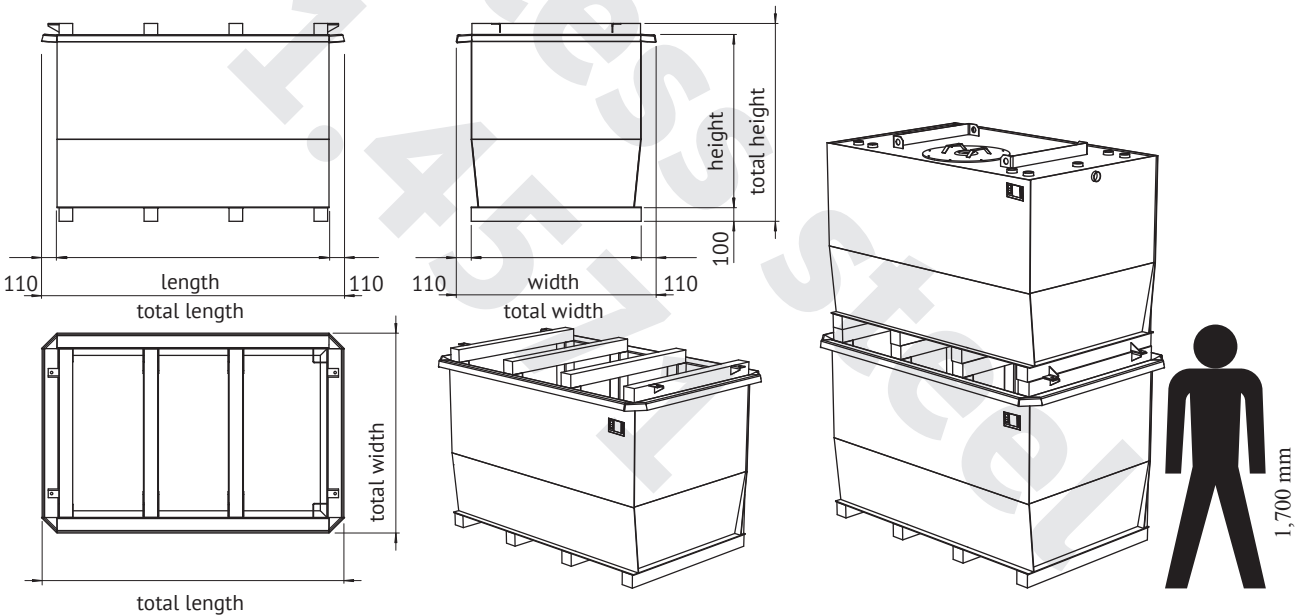


Characteristic	Area of Application / Media			Transportation / Installation	
E1 single wall	E12 hazardous to ground water	E5 inflammable		E3 cleaned transportable	E9 indoor use

The catch sump serves to hold back any substances hazardous to waters, which come from a leakage in tank or untight connections, in accordance with the water law. If there is no catching area available on the building site a cubic catch sump of steel must be used, which is deliverable in all standard dimensions of the TTE-XL.

type of tank	capacity 100%	capacity 95%	length	total length	width	total width	height	total height	weight
no. of type	l	l	mm	mm	mm	mm	mm	mm	kg
TW-XL 2,500-A4	3.000	2.850	2,000	2,220	1,250	1,470	1,275	1,460	530
TW-XL 3,000-A4	3.610	3.427	2,000	2,220	1,500	1,720	1,275	1,460	595
TW-XL 4,000-A4	4.290	4.072	2,000	2,220	1,500	1,720	1,525	1,710	660
TW-XL 5,000-A4	5.450	5.179	3,000	3,220	1,500	1,720	1,275	1,460	810
TW-XL 6,000-A4	6.490	6.164	3,000	3,220	1,500	1,720	1,525	1,710	885
TW-XL 7,000-A4	7.590	7.209	3,500	3,720	1,500	1,720	1,525	1,710	998
TW-XL 8,000-A4	8.700	8.255	4,000	4,220	1,500	1,720	1,525	1,710	1,115
TW-XL 9,000-A4	9.800	9.301	4,500	4,720	1,500	1,720	1,525	1,710	1,260

Please note: The capacity of the catch sump results from the capacity of the appropriate TTE-XL.



Standard Equipment:

- feet with bottom attachment
- support bracket for TTE-XL
- type plate
- 4x hexagon screw with nut for fastening on the TTE-XL

Optional Accessories:

- oil warning-probe

Corrosion Protection:

- outside/inside 2-K painting RAL 7032

Optional Equipment:

- painting in all RAL colours
- material: stainless steel

Corrosion resistance:

Good resistance to environmental

TTE-XL 2.500 day tank single wall with TW-XL 2.500 catch sump

impacts: Water, rural and urban climate with lower chloride or acid concentrations.

Towards the material type 1.4301 the material 1.4571 is recommended to be used in nitric and organic acid.

Material	Approval	Documentation	Sheet
Steel S235JR	General Construction Supervision Approval Z-38.11-127	Test Certificate 1x English	1 of 1